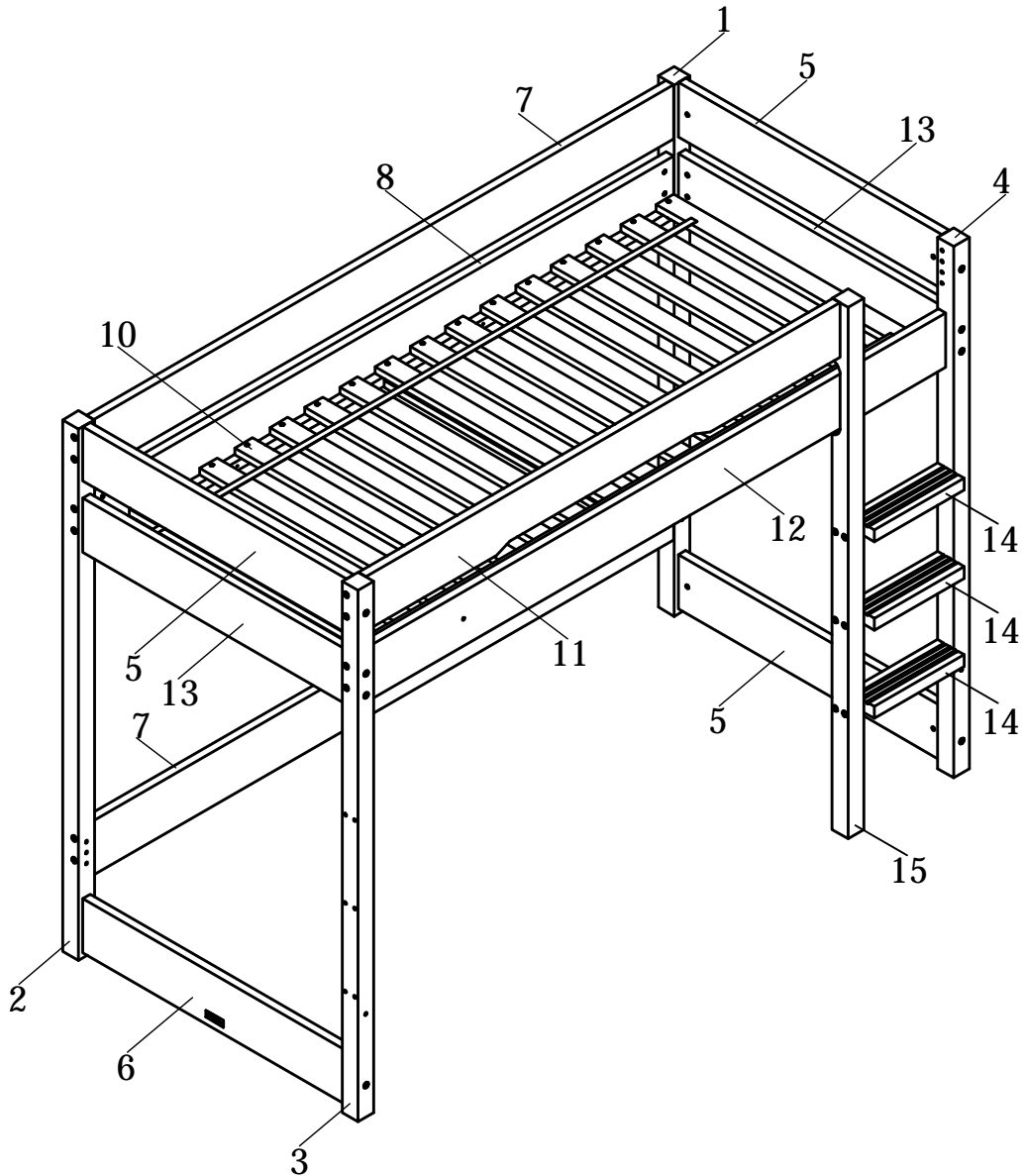


bopita®

ASSEMBLY INSTRUCTION
MONTAGE HANDLEIDING
MONTAGE ANLEITUNG
NOTICE DE MONTAGE
MANUAL DE MONTAJE

UK
NL
D
F
ESP

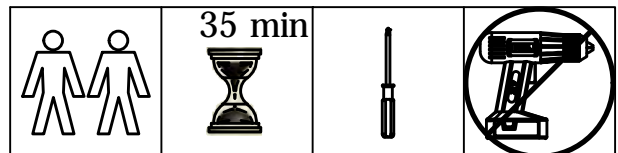
MODEL : LUCAS
TYPE : HIGHSLEEPER
COLOUR : WHITE/NATURAL
ART.CODE : 129232.03






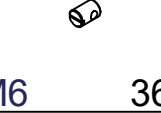
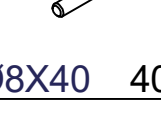

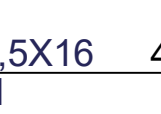
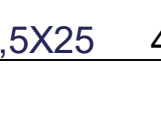

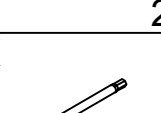
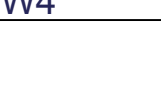
Distributor:

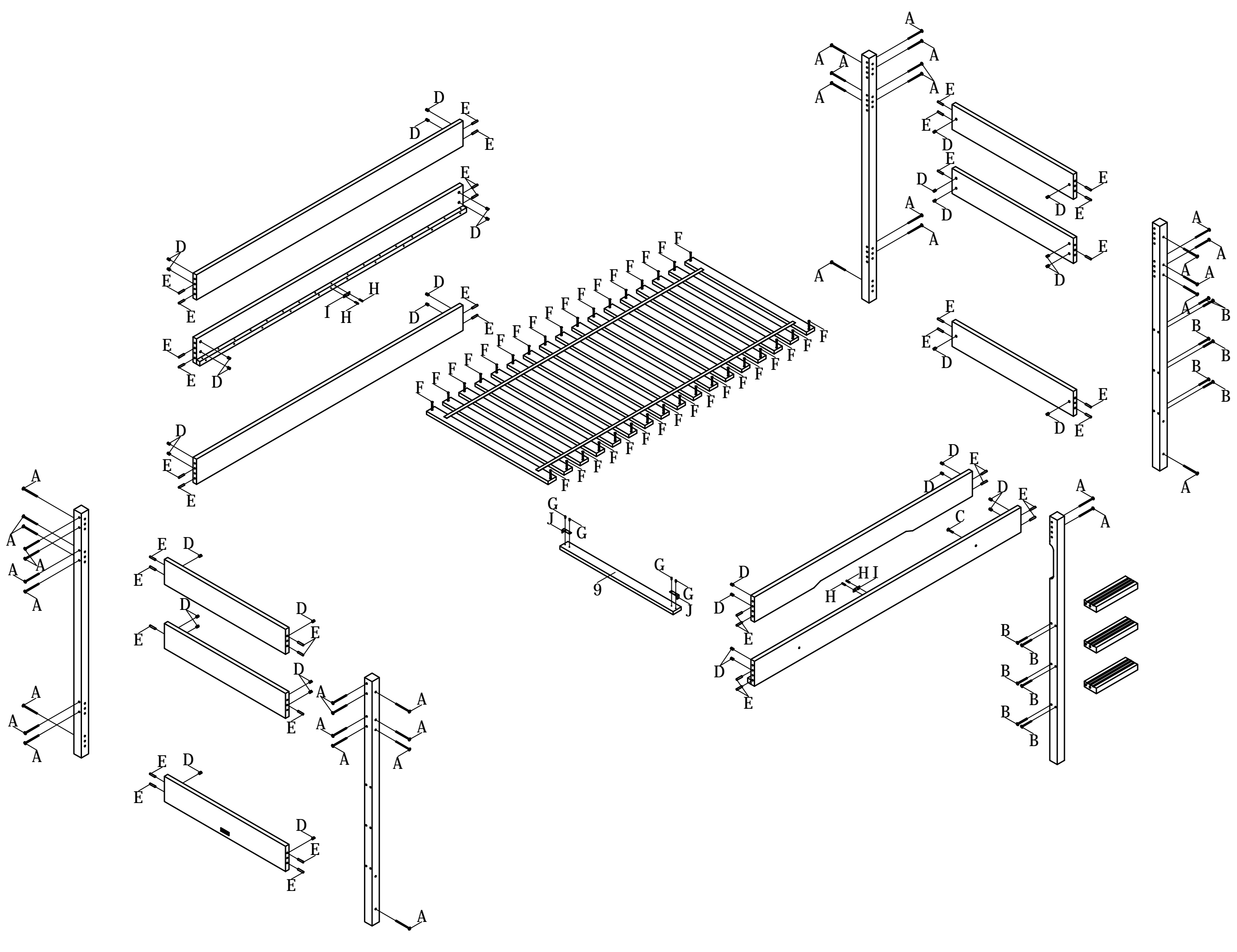
BOPITA
Edisonweg 3, 6662 NW Elst
The Netherlands

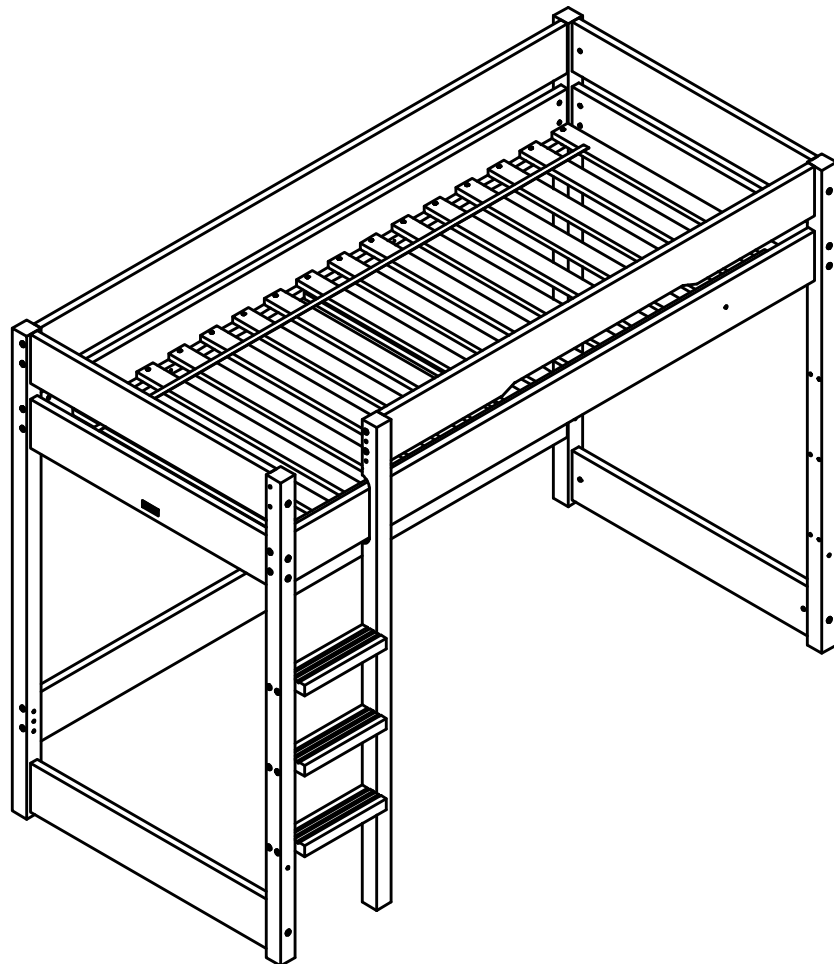
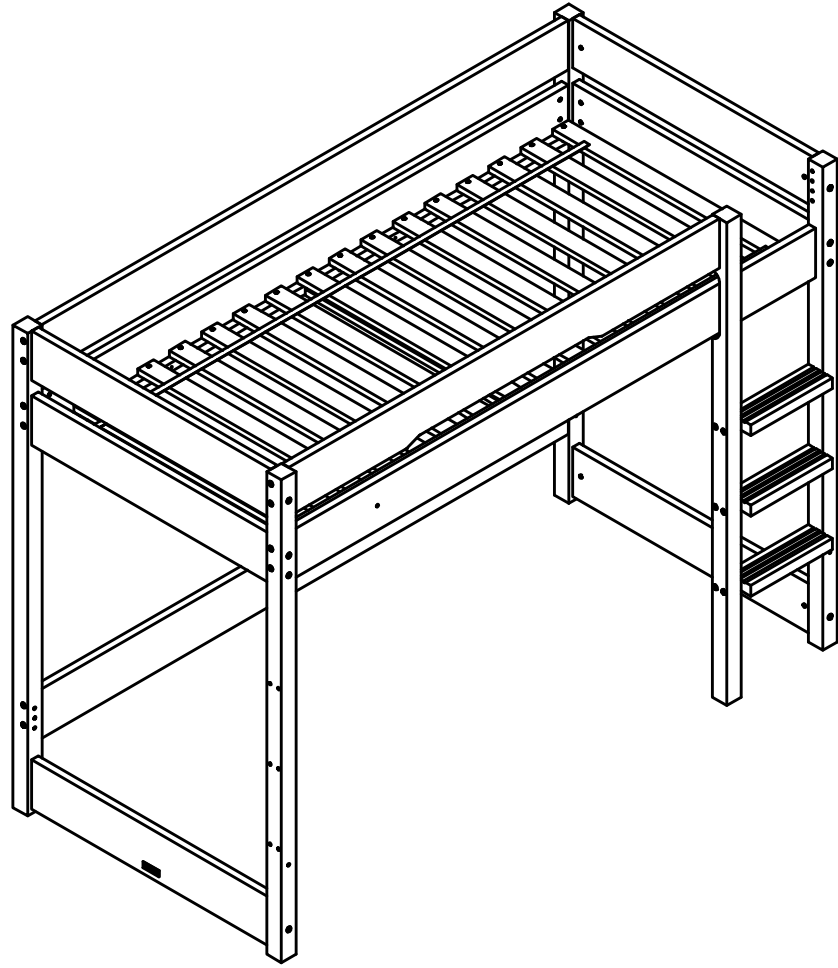
www.bopita.com

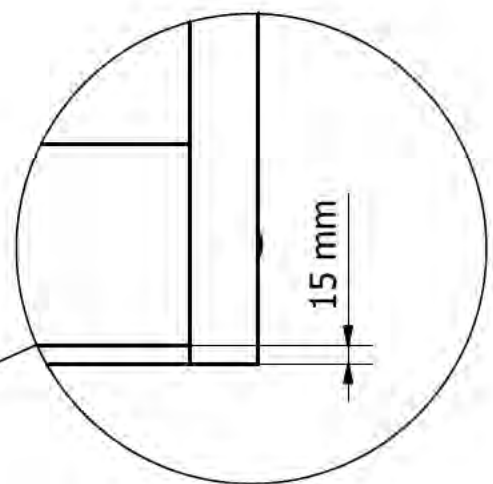
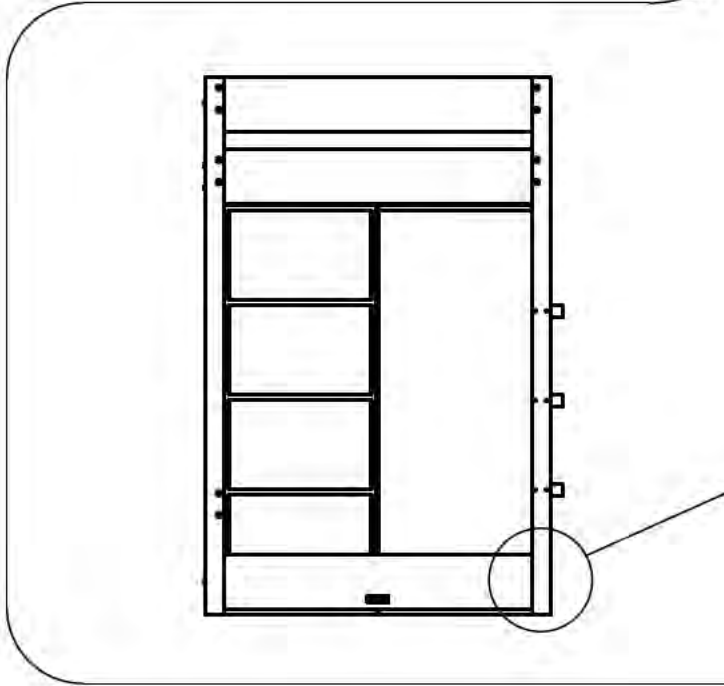
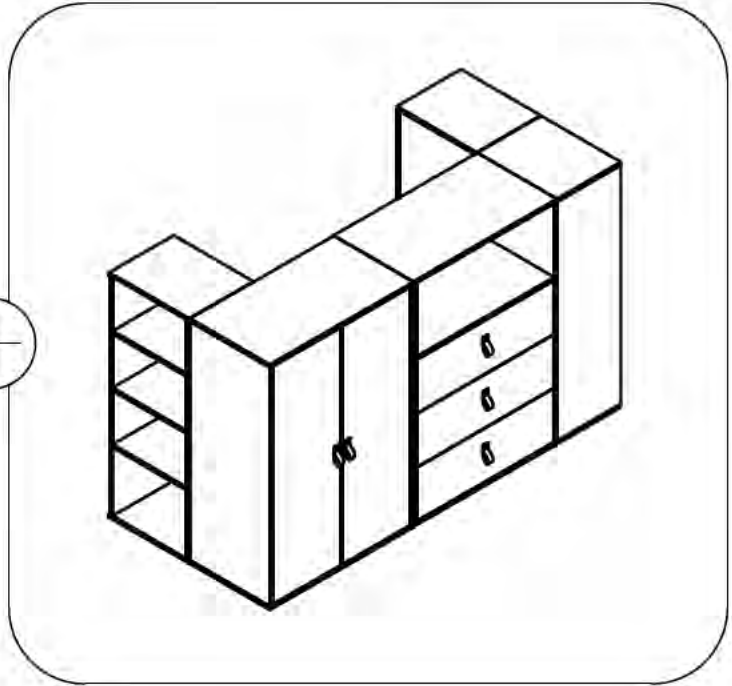
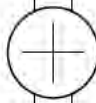
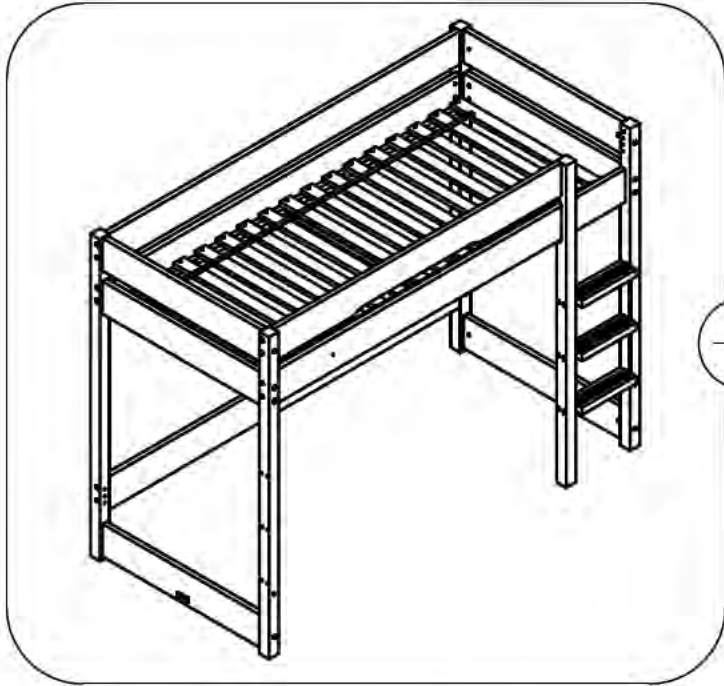


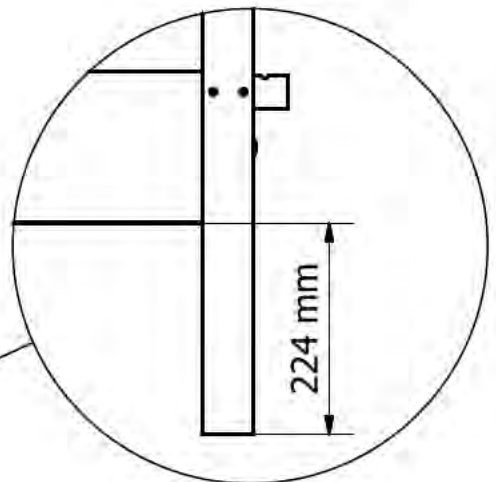
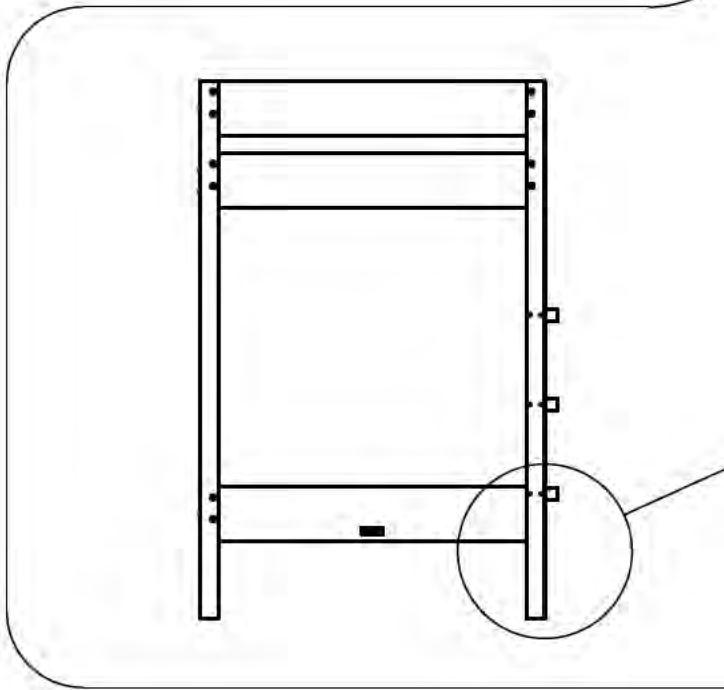
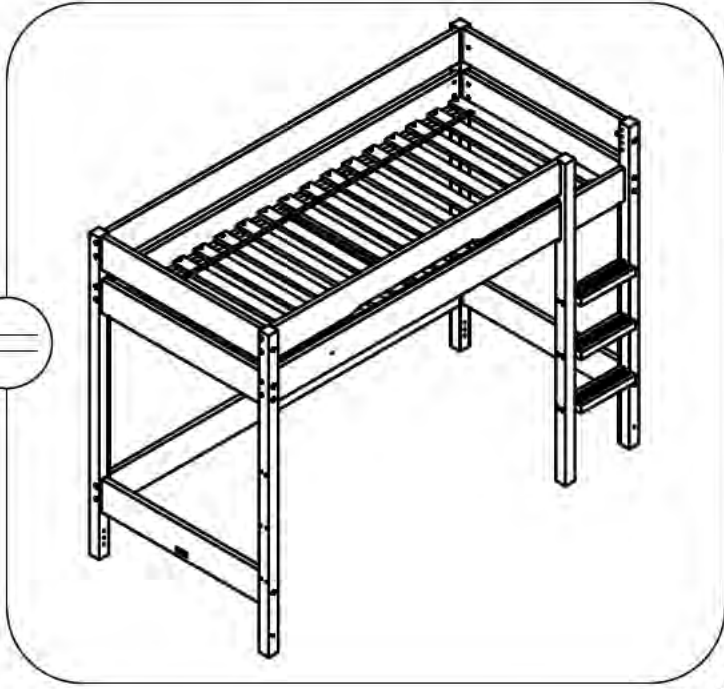
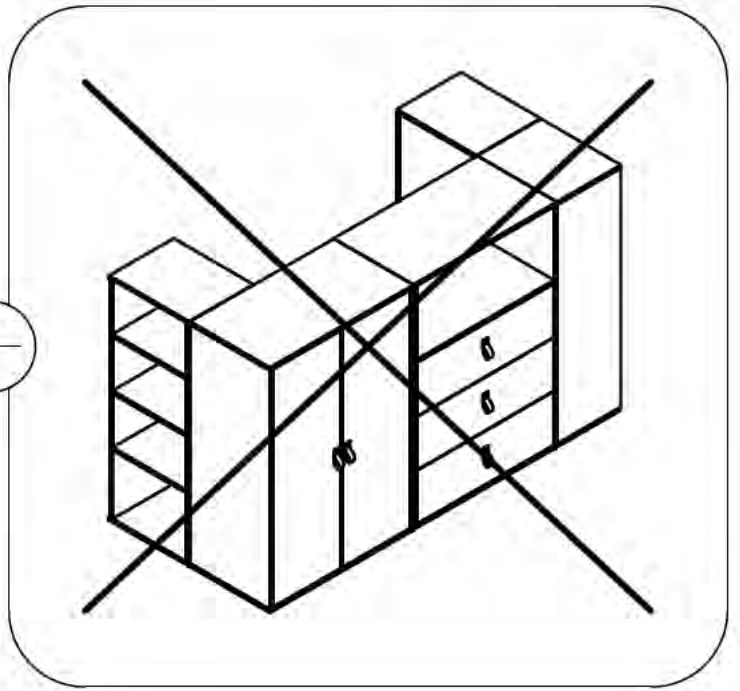
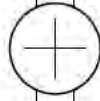
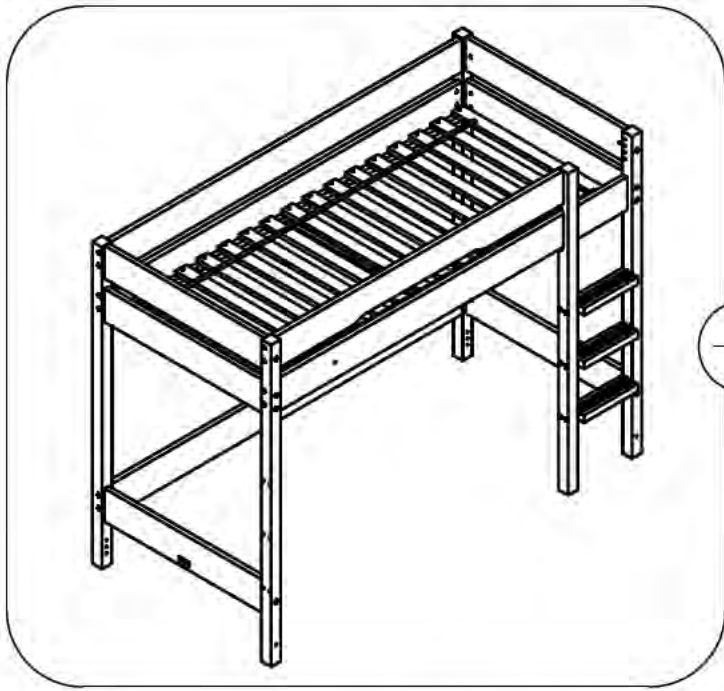
15.03.2023.

A	
M6X100	36X
B	
M6X70	12X
C	
M6X35	1X
D	
M6	36X
E	
Ø8X40	40X
F	
5X40	34X
G	
3,5X16	4X
H	
3,5X25	4X
I	
	2X
J	
	2X
K	
SW4	1X

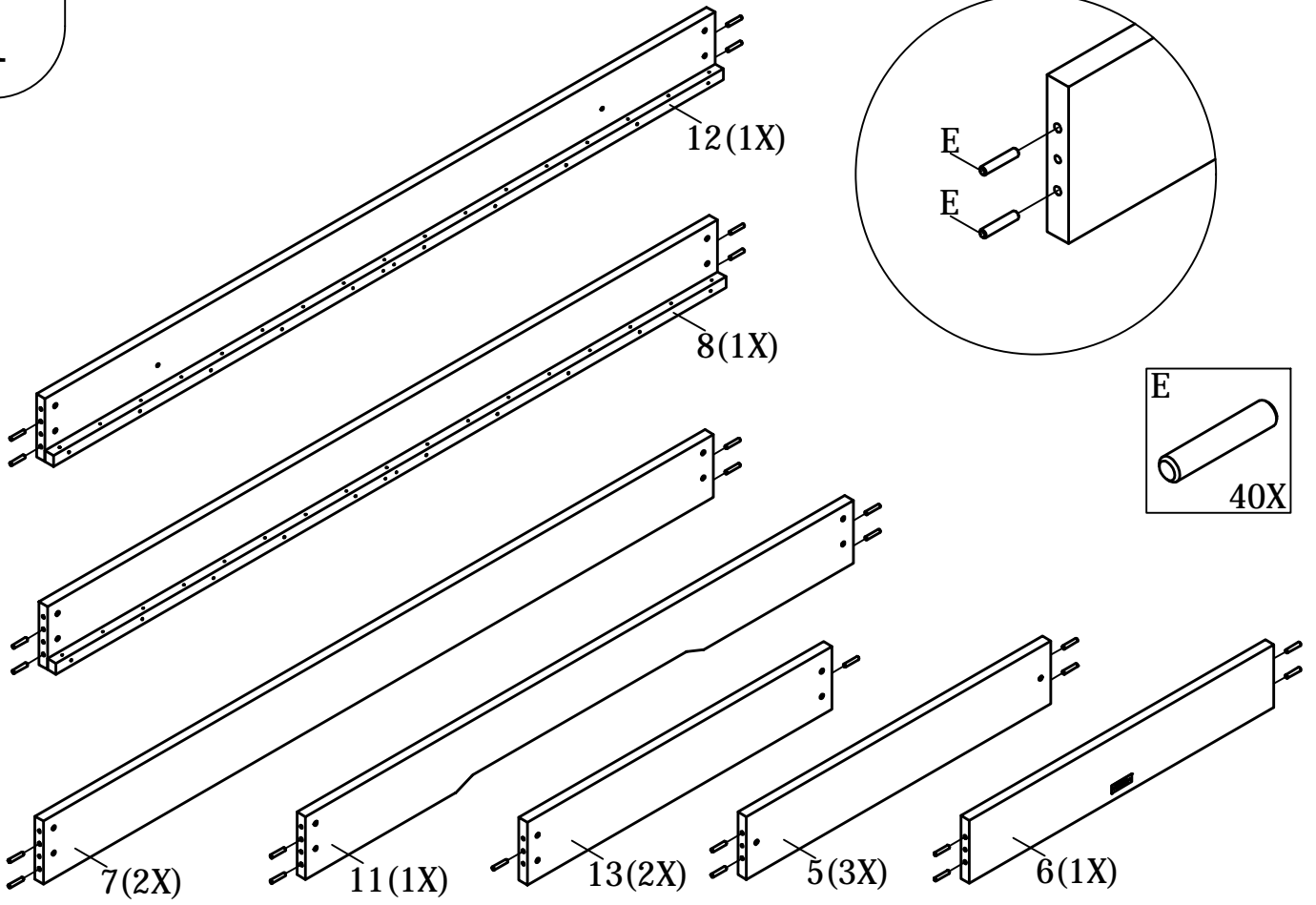




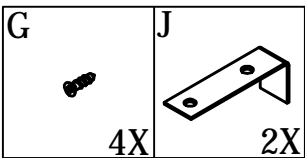
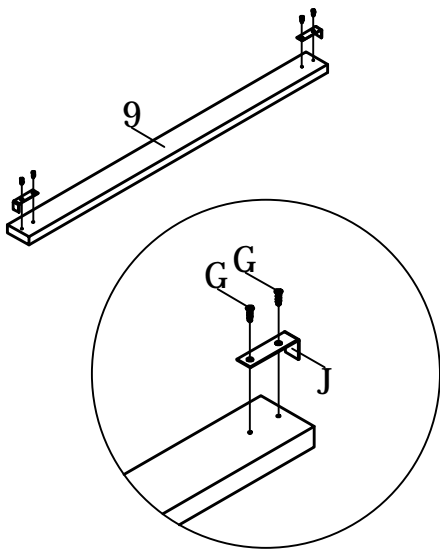




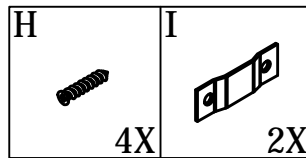
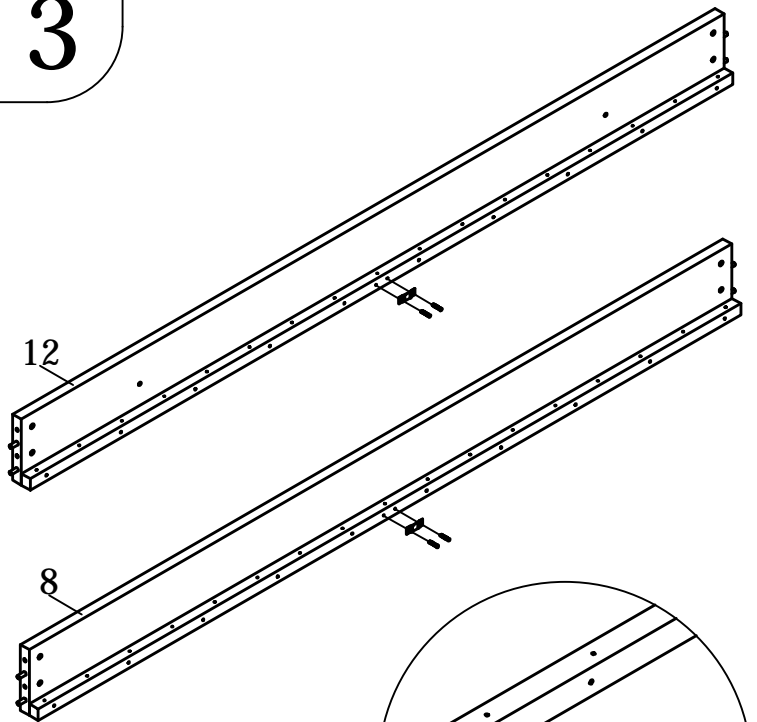
1



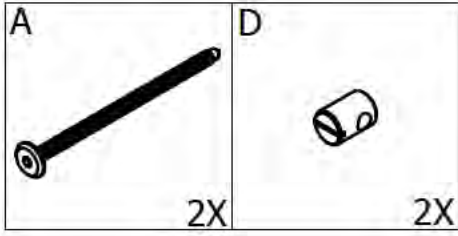
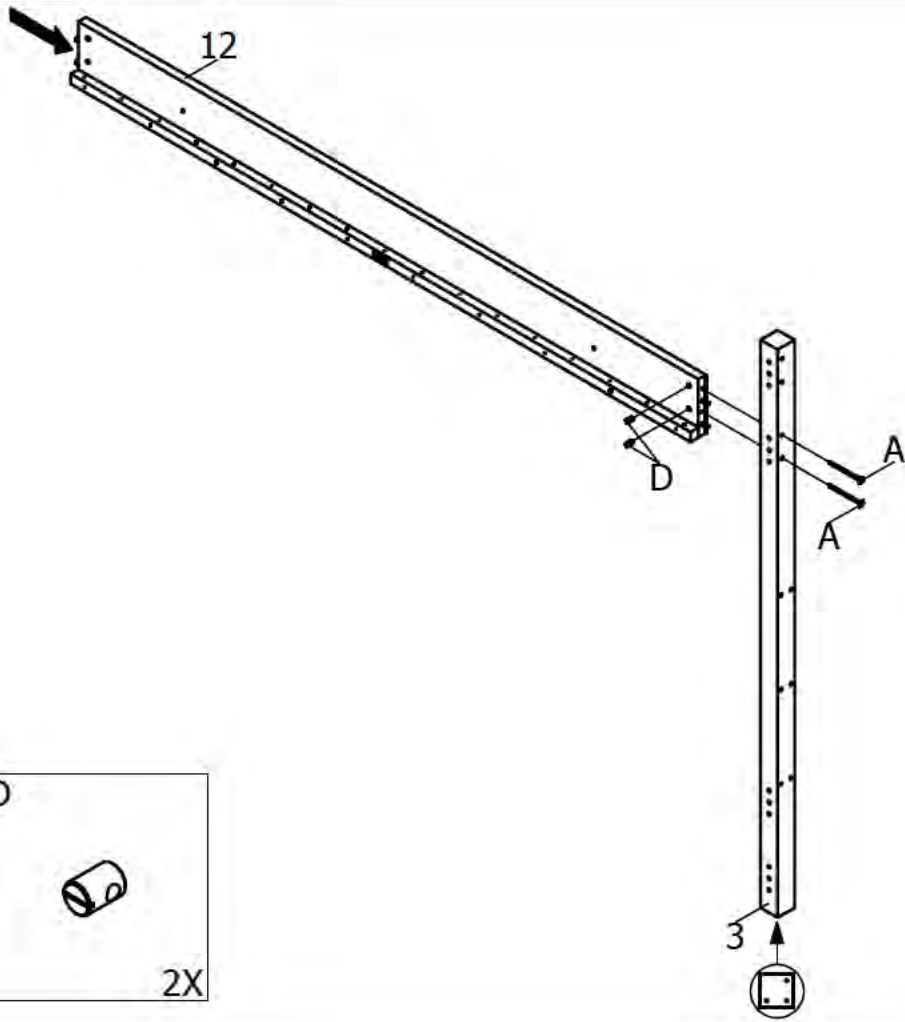
2



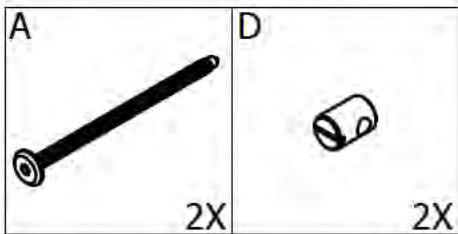
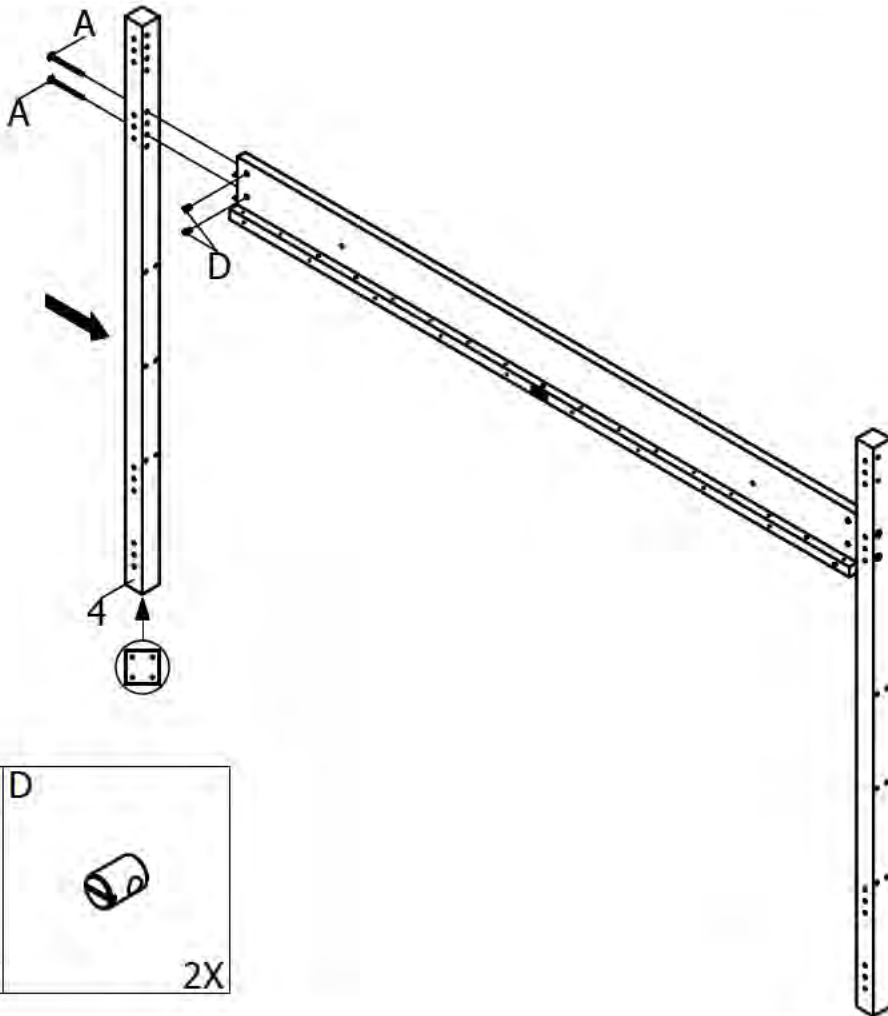
3



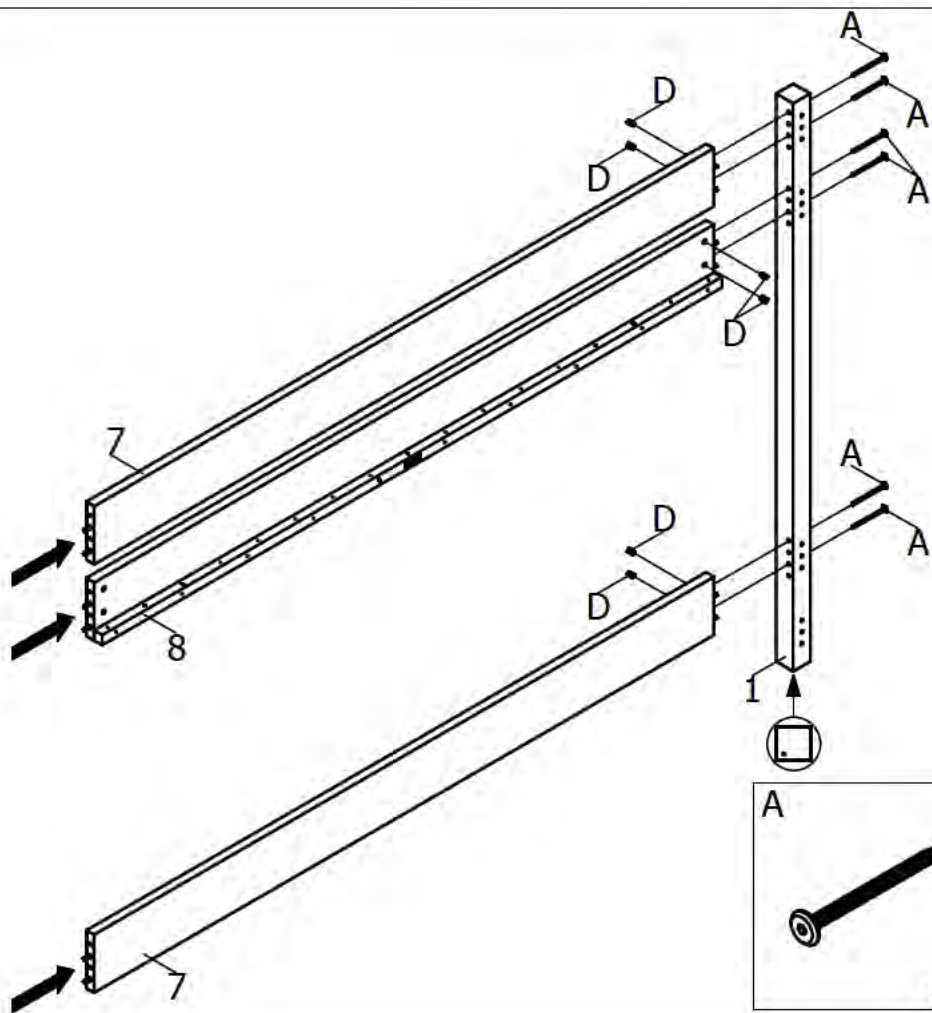
4



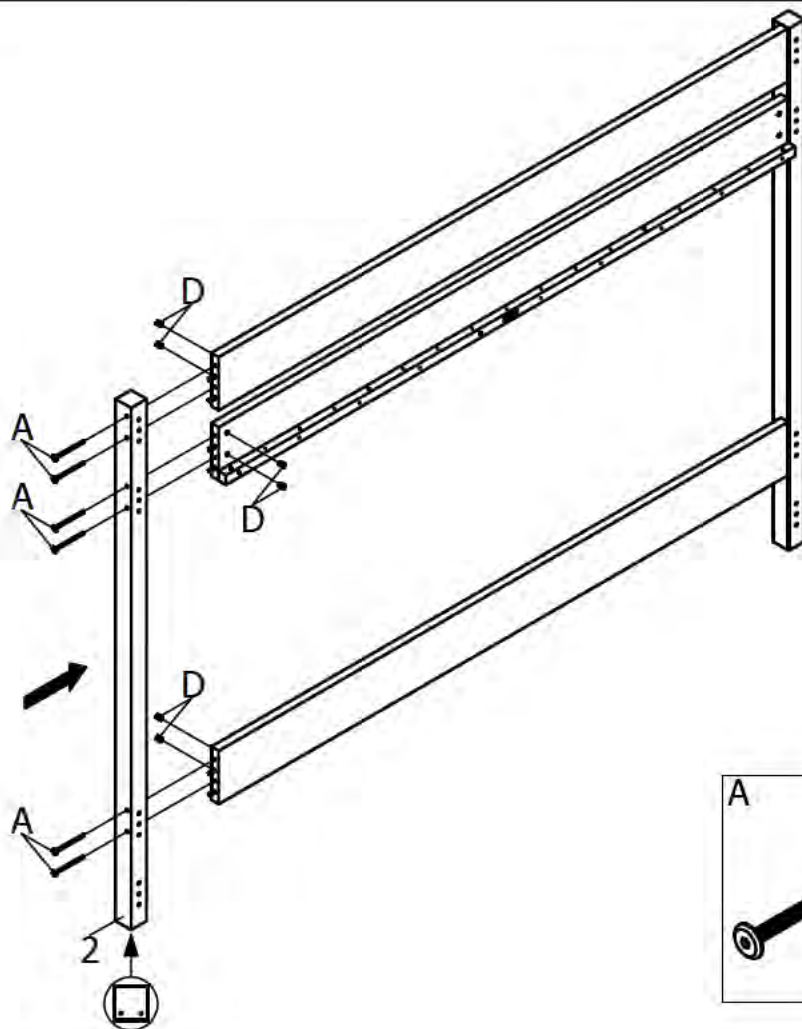
5



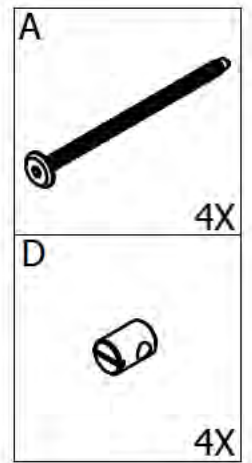
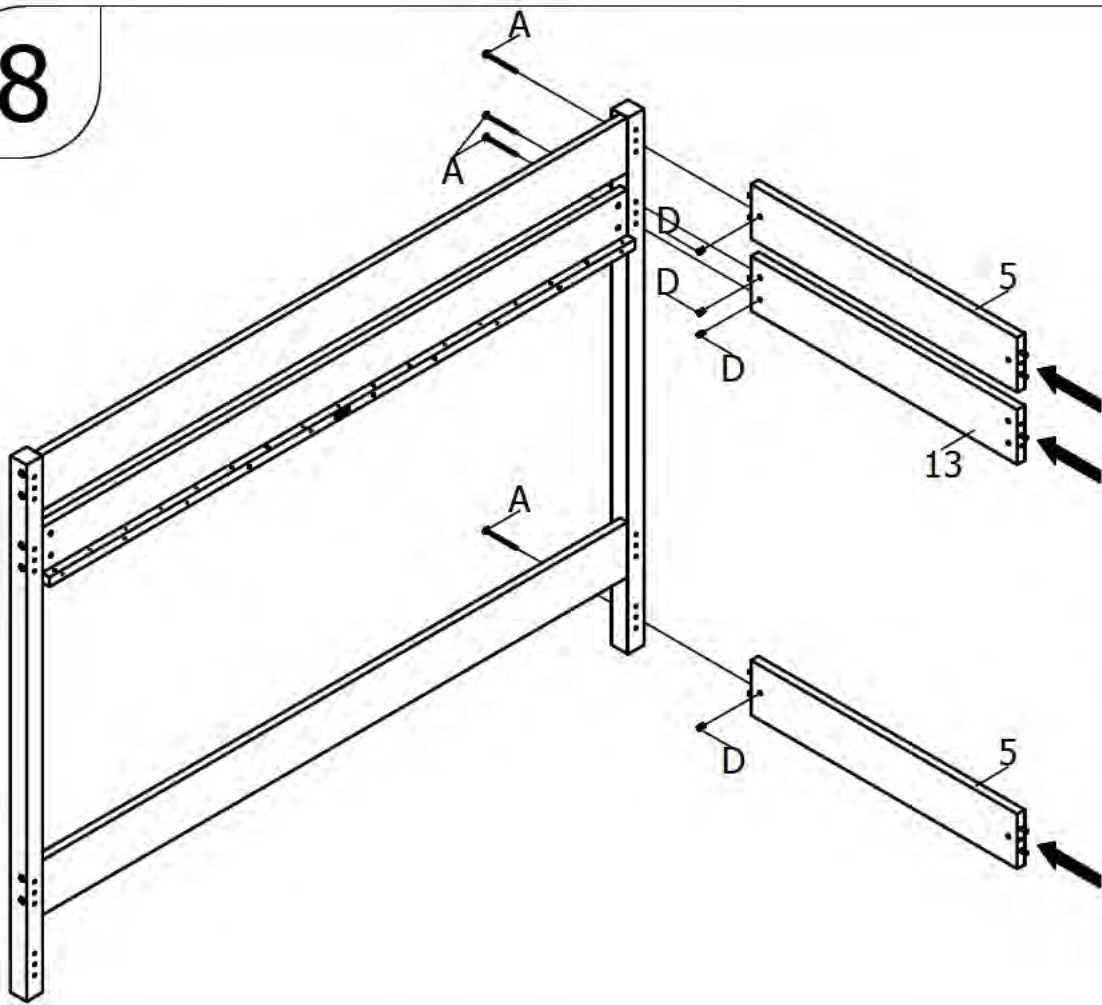
6



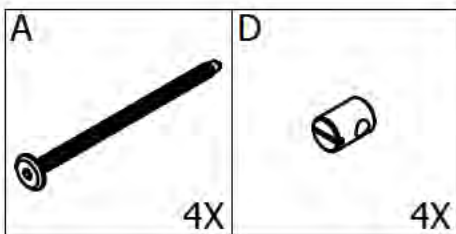
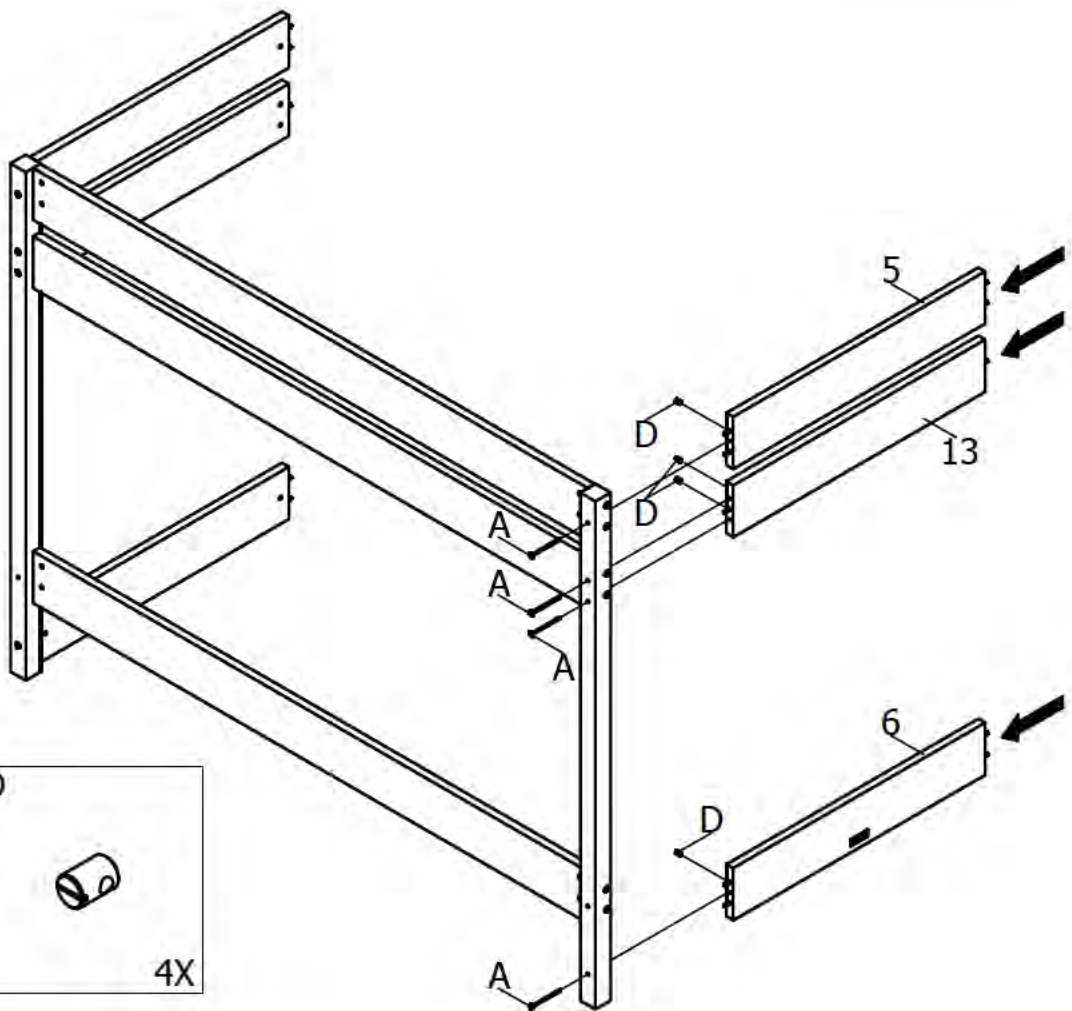
7



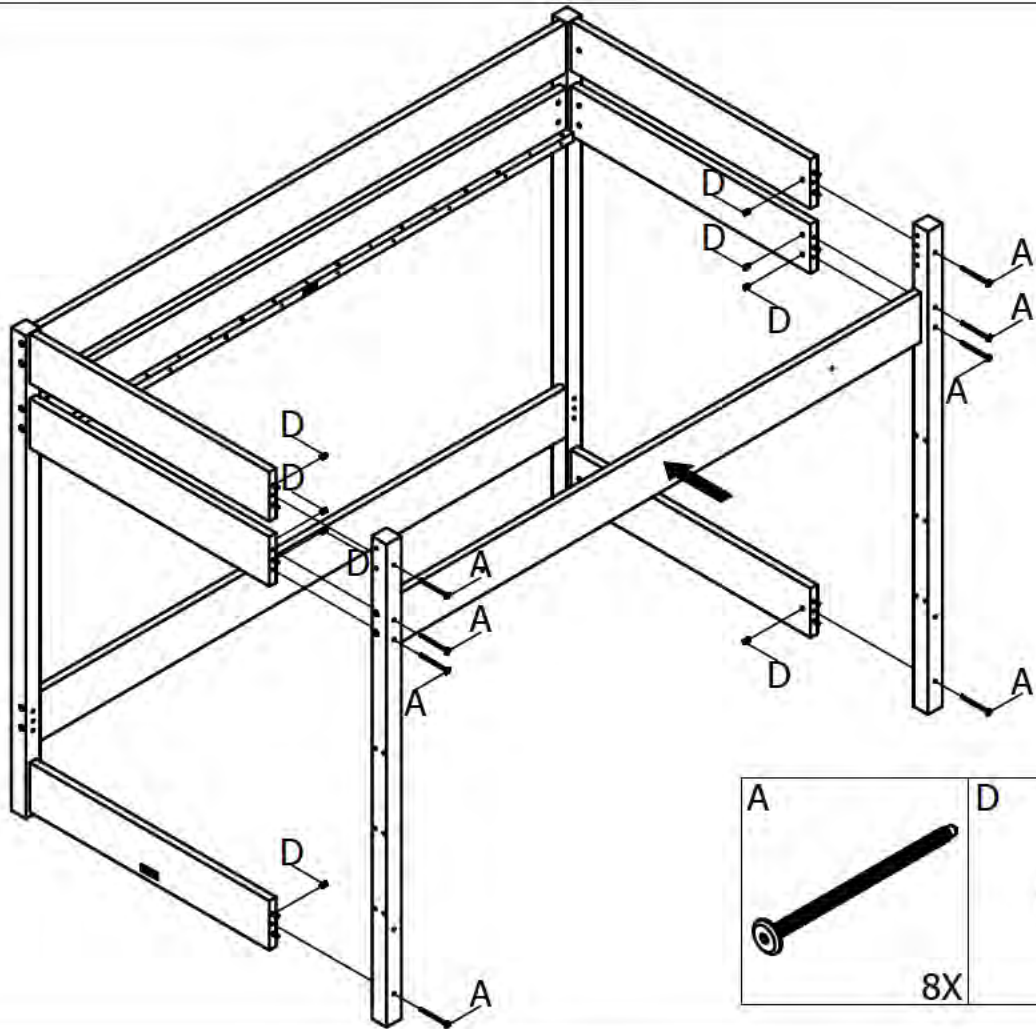
8



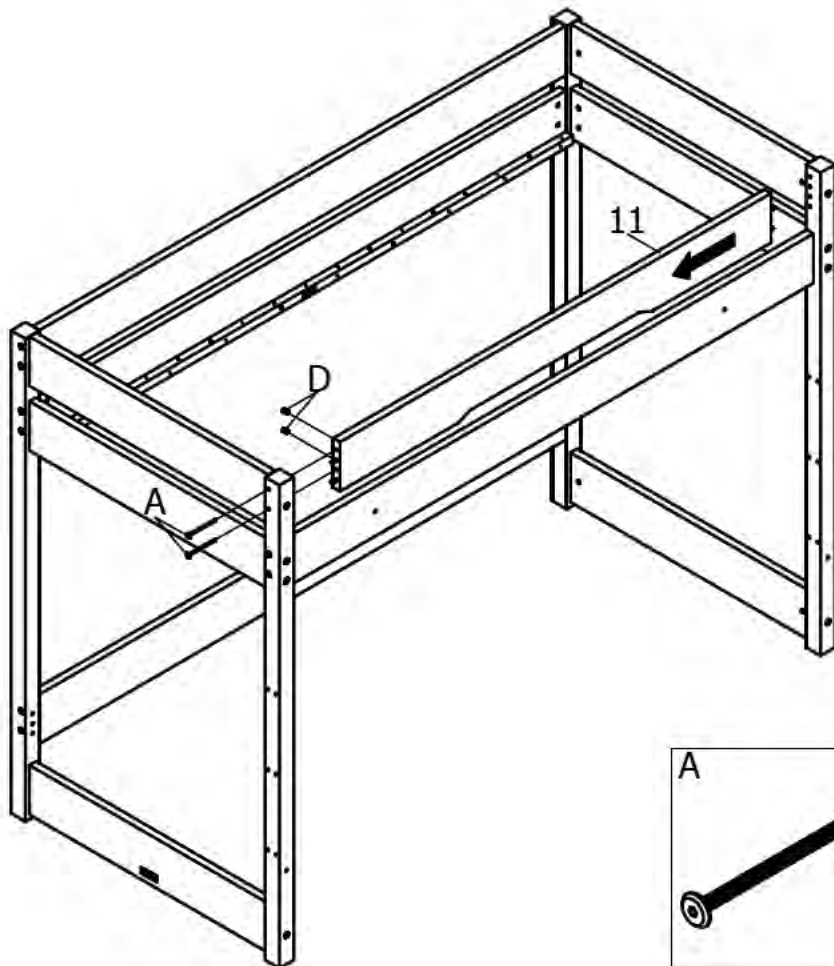
9



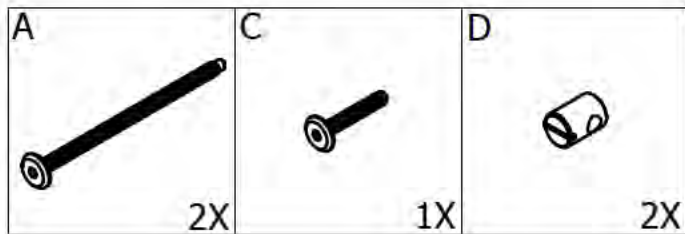
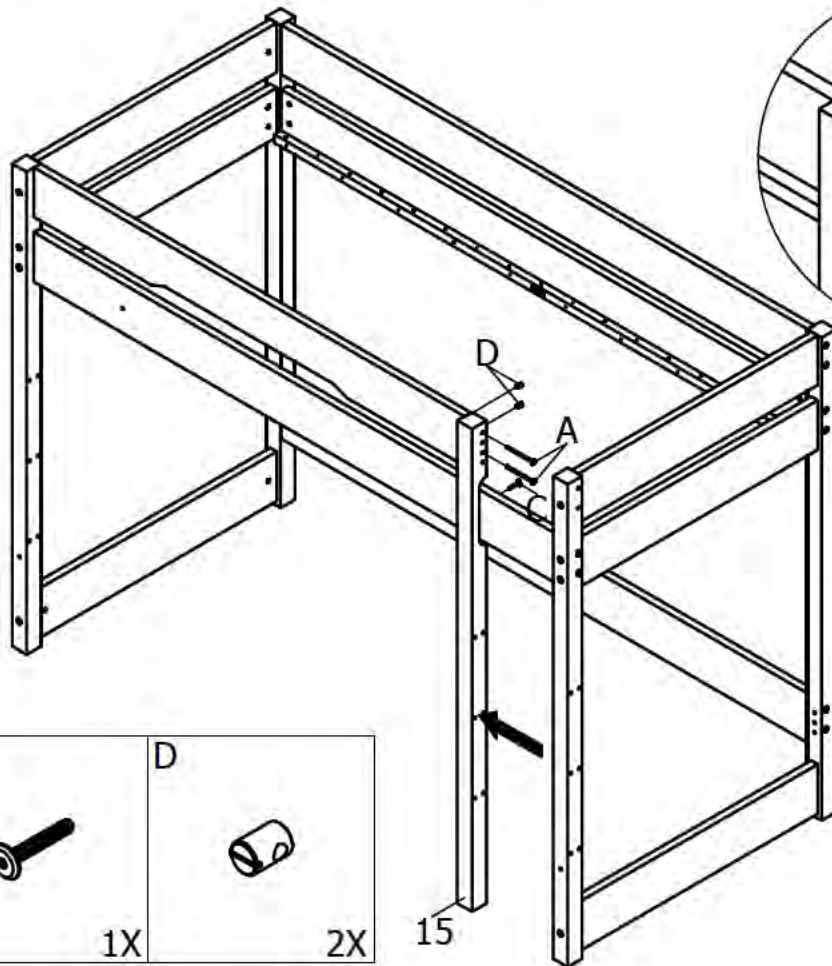
10



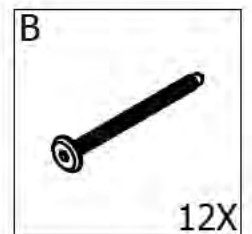
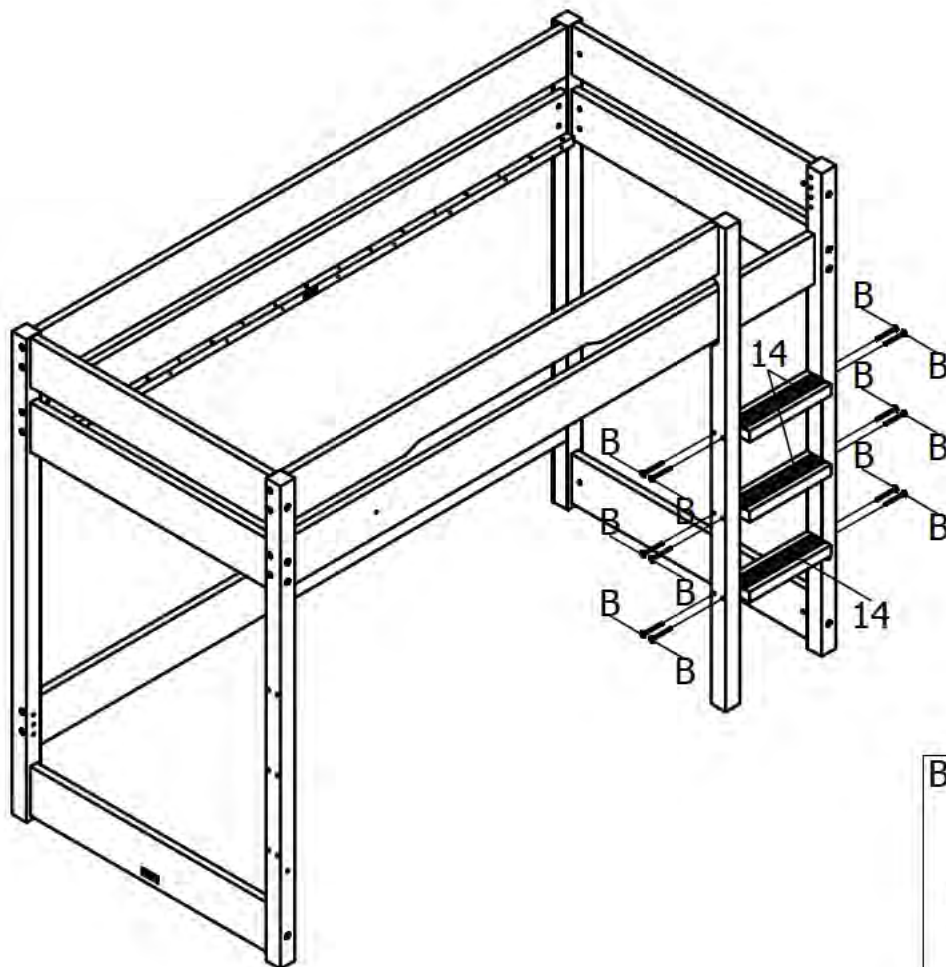
11



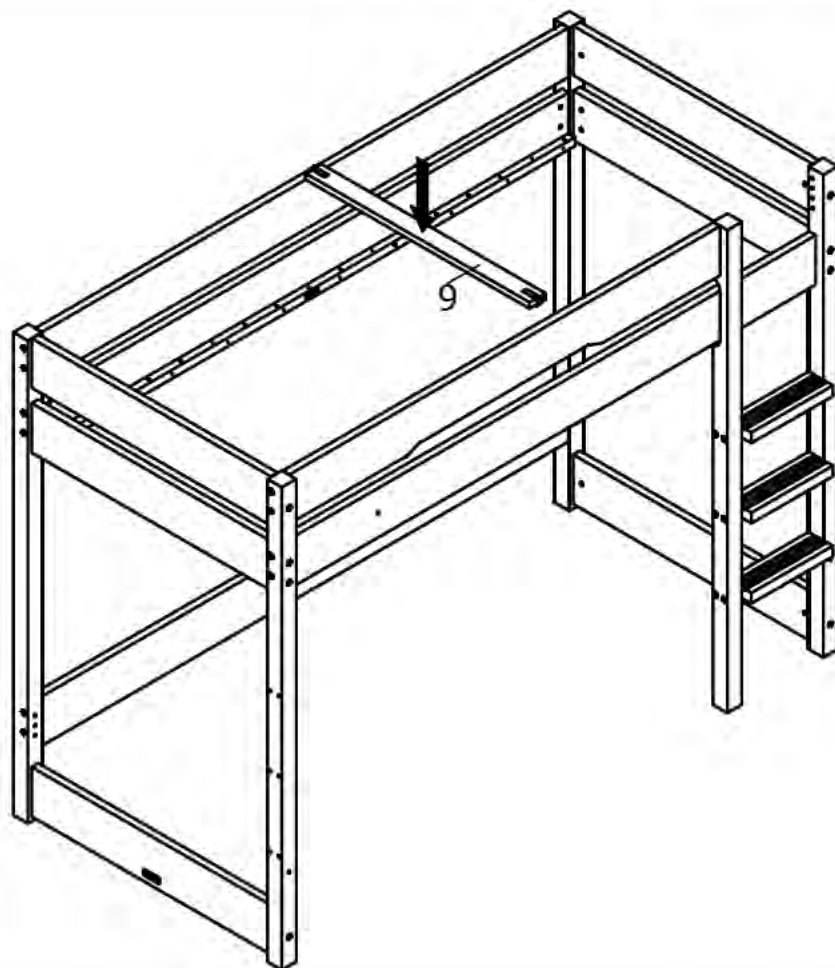
12



13



14



15

